

Z1175 HAIR INTERCEPTOR

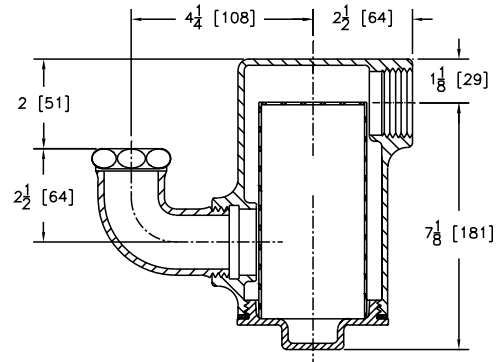


ENGINEERING SPECIFICATION

Zurn Z1175 Dura-Coated cast iron hair and solids interceptor, in lieu of fixture "P" trap, with 1-1/2" slip joint elbow inlet and 1-1/2" threaded side outlet, perforated stainless steel basket, removable from bottom, with flanged and gasketed, slotted cleanout cover with raised head. Perforation size is 1/8".

Inlet/Outlet inch [mm]	Approximate Weight lb [kg]
1-1/2 [38]	8 [4]

PREFIXES	DESCRIPTION	LIST PRICE
Z1175*	Standard Assembly (See Engineering Specification)	946.00
ZAB1175	All Satin Finish	1,734.00
SUFFIXES	DESCRIPTION	ADD
-CP	Chrome Plated Finish Interior and Exterior (ZAB Only)	579.00
-YR	Replacement Stainless Steel Basket	285.00
BEST SELLER	LIST PRICE	
Z1175-1-1/2IP	946.00	



Z1176 HAIR INTERCEPTOR



ENGINEERING SPECIFICATION

Zurn Z1176 hair and solids interceptor works in lieu of fixture "P" trap. Features Dura-Coated cast iron construction, 1-1/2" slip joint elbow inlet and 1-1/2" threaded swivel elbow top outlet, perforated stainless steel basket, removable from bottom, and flanged and gasketed cleanout cover with raised head. Perforation size is 1/8".

Inlet/Outlet inch [mm]	Approximate Weight lb [kg]
1-1/2 [38]	8 [4]

PREFIXES	DESCRIPTION	LIST PRICE
Z1176*	Standard Assembly (See Engineering Specification)	1,320.00
ZAB1176	All Satin Finish	2,096.00
SUFFIXES	DESCRIPTION	ADD
-CP	Chrome Plated Finish Interior and Exterior (ZAB Only)	648.00
-YR	Replacement Stainless Steel Basket	285.00
BEST SELLER	LIST PRICE	
Z1176-1-1/2IP	1,320.00	

